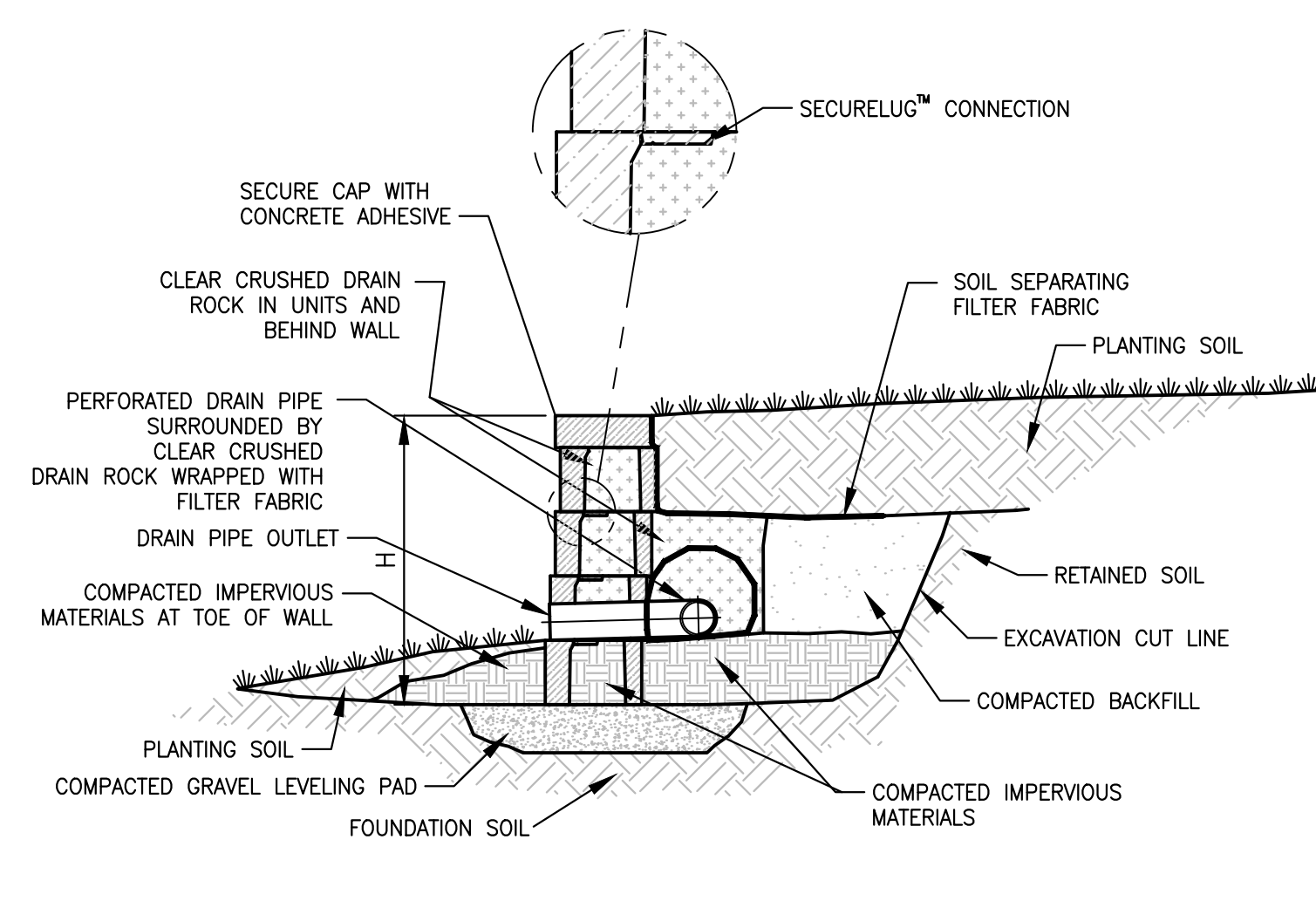
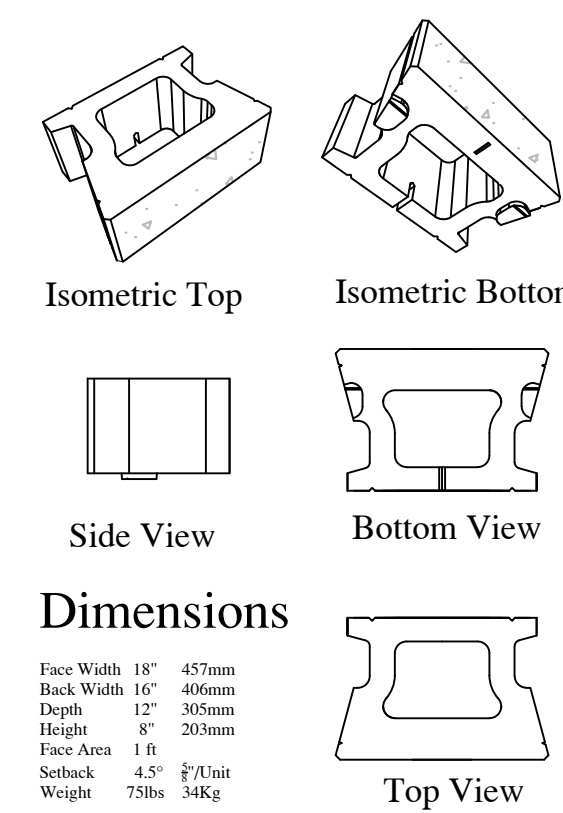


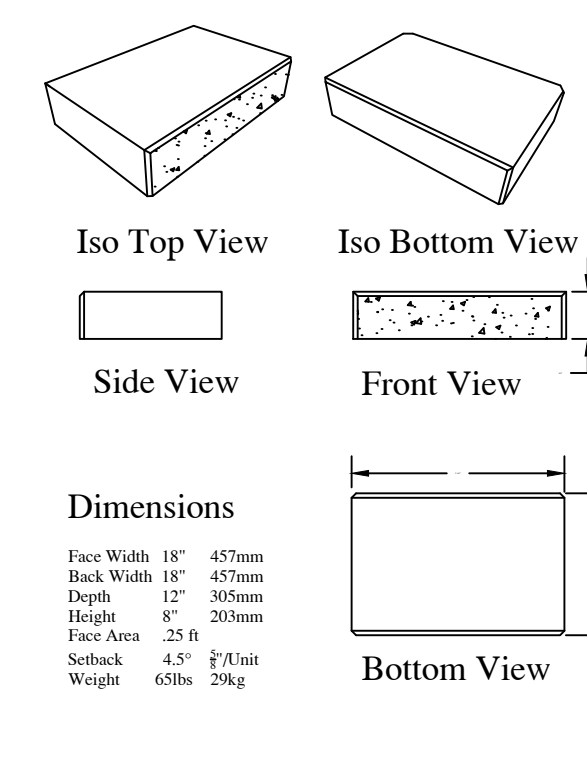
CORNERSTONE GEOGRID WALL



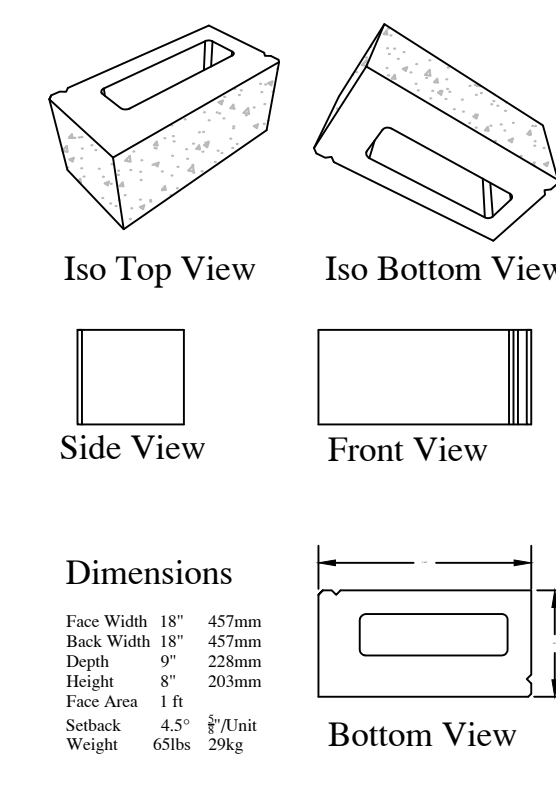
CORNERSTONE GRAVITY WALL



CORNERSTONE 100



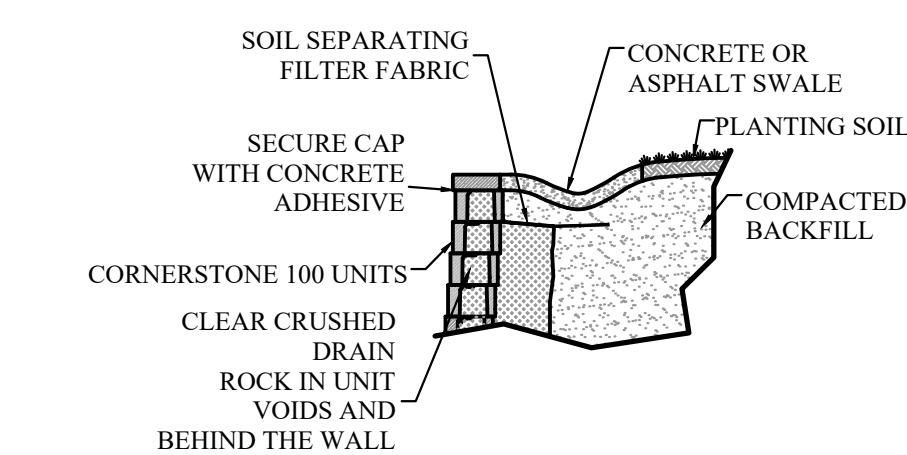
CAPS



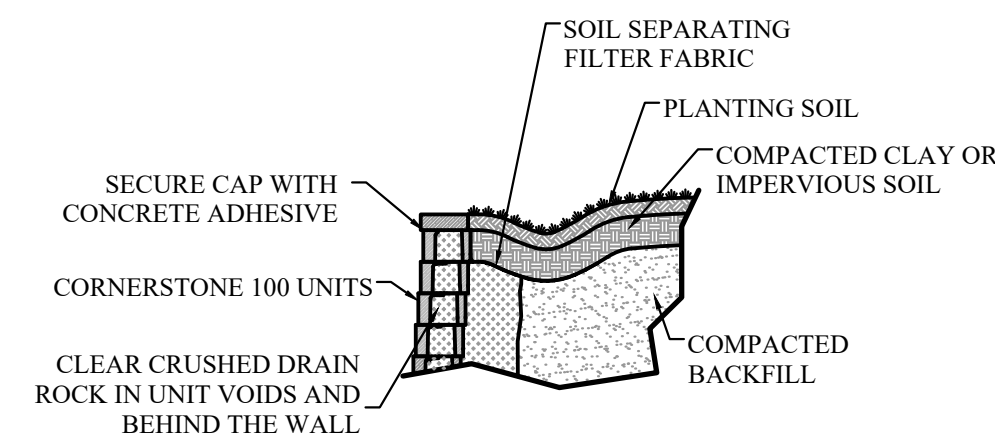
CORNERS

General Notes

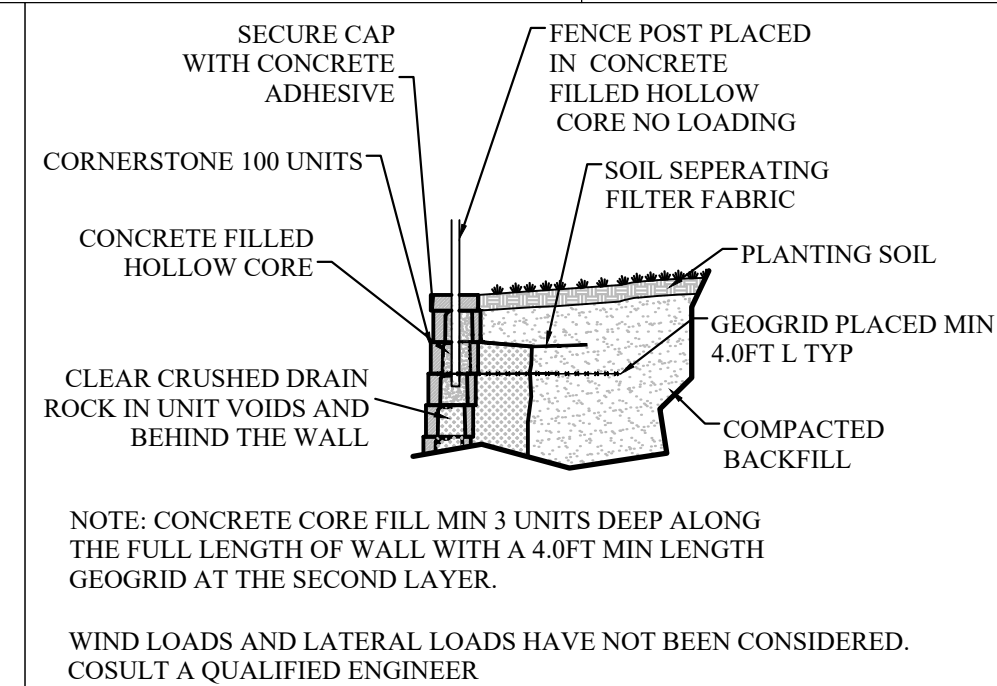
These preliminary details are intended solely to act as an aid when designing a wall. This drawing should not be used for final design or construction. Each site-specific wall should be certified and signed by a registered geotechnical engineer in the State or Province that it is being built. The accuracy and use of the details in this document are the sole responsibility of the user.



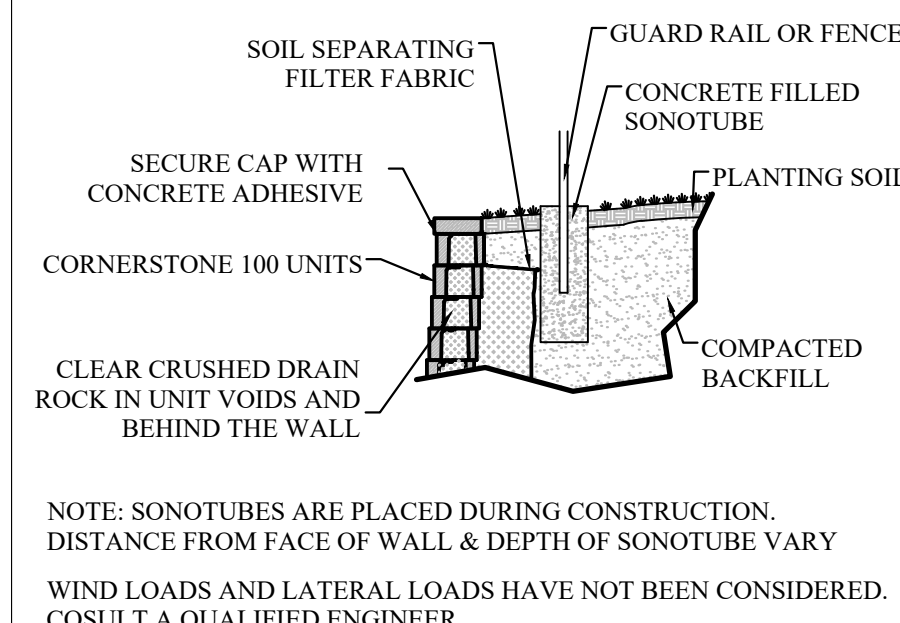
CONCRETE / ASPHALT SWALE



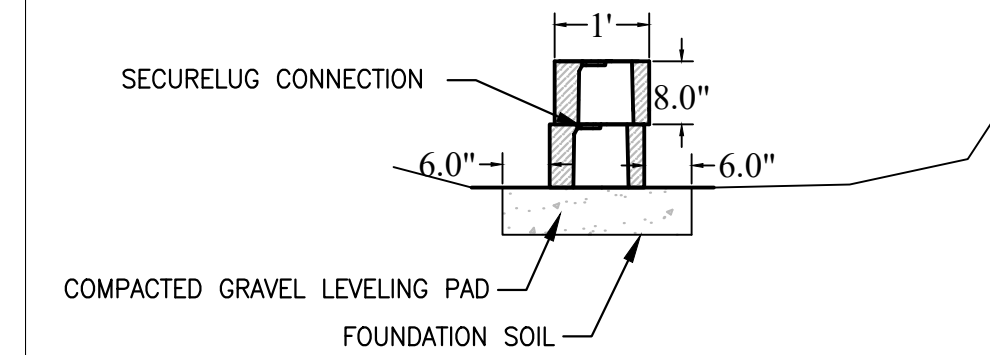
CLAY OR IMPERVIOUS SWALE



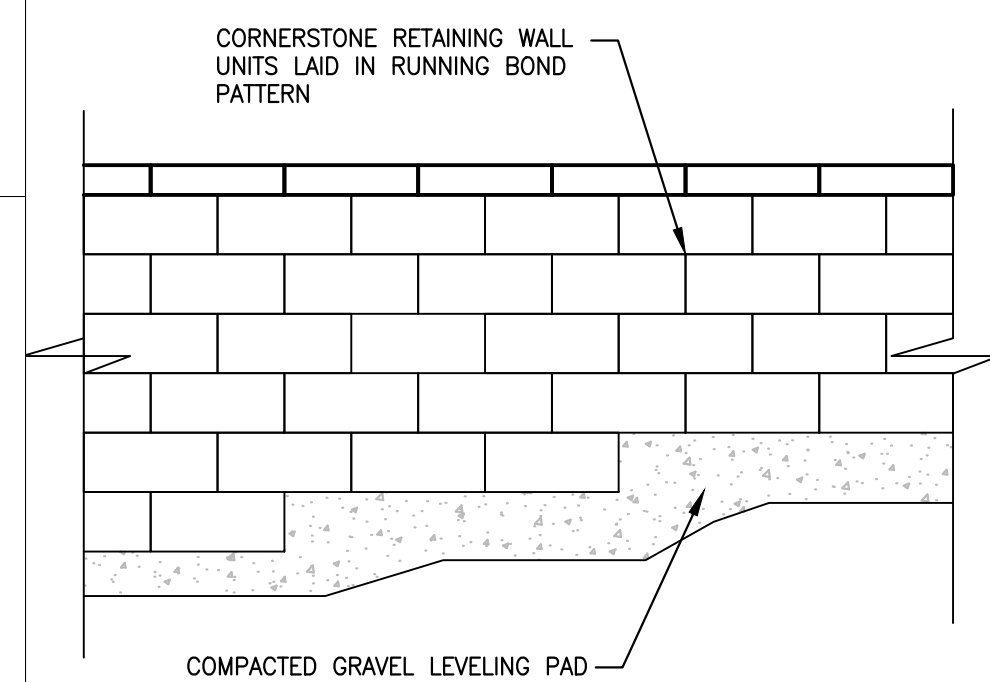
FENCE IN BLOCK



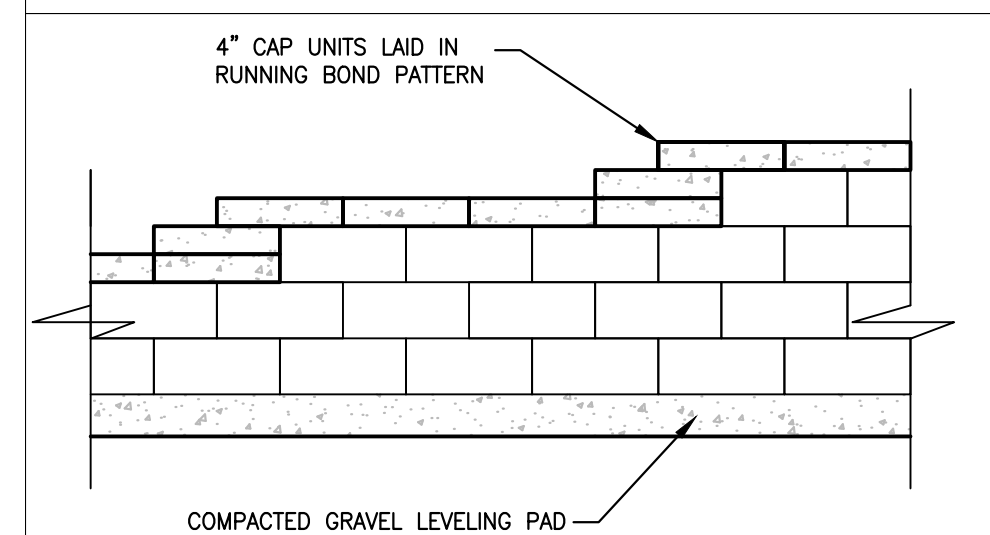
FENCE W/ SONOTUBE



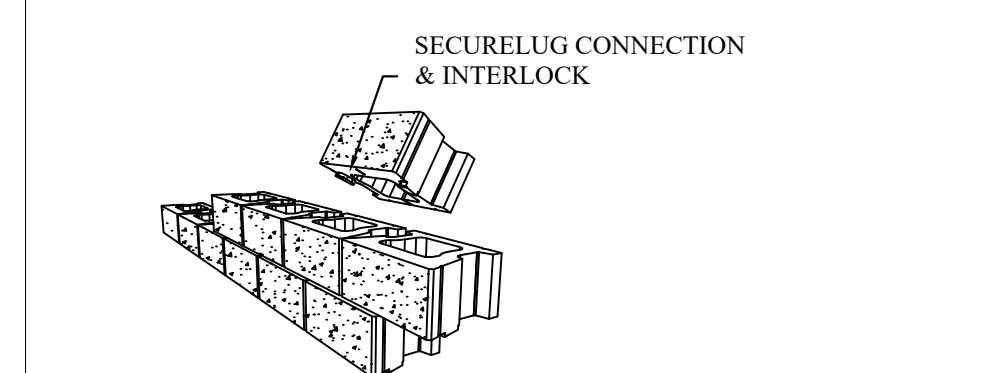
LEVELING PAD



LEVELING PAD STEP UP



TOP OF WALL ELEVATION



CORNERSTONE CONNECTION

| | | |
|-----|----------------|------|
| No. | Revision/Issue | Date |
|-----|----------------|------|



Project Name and Address

| | |
|---------|-------|
| Project | Sheet |
| Date | |
| Scale | |

FINAME

REVDATE

USER