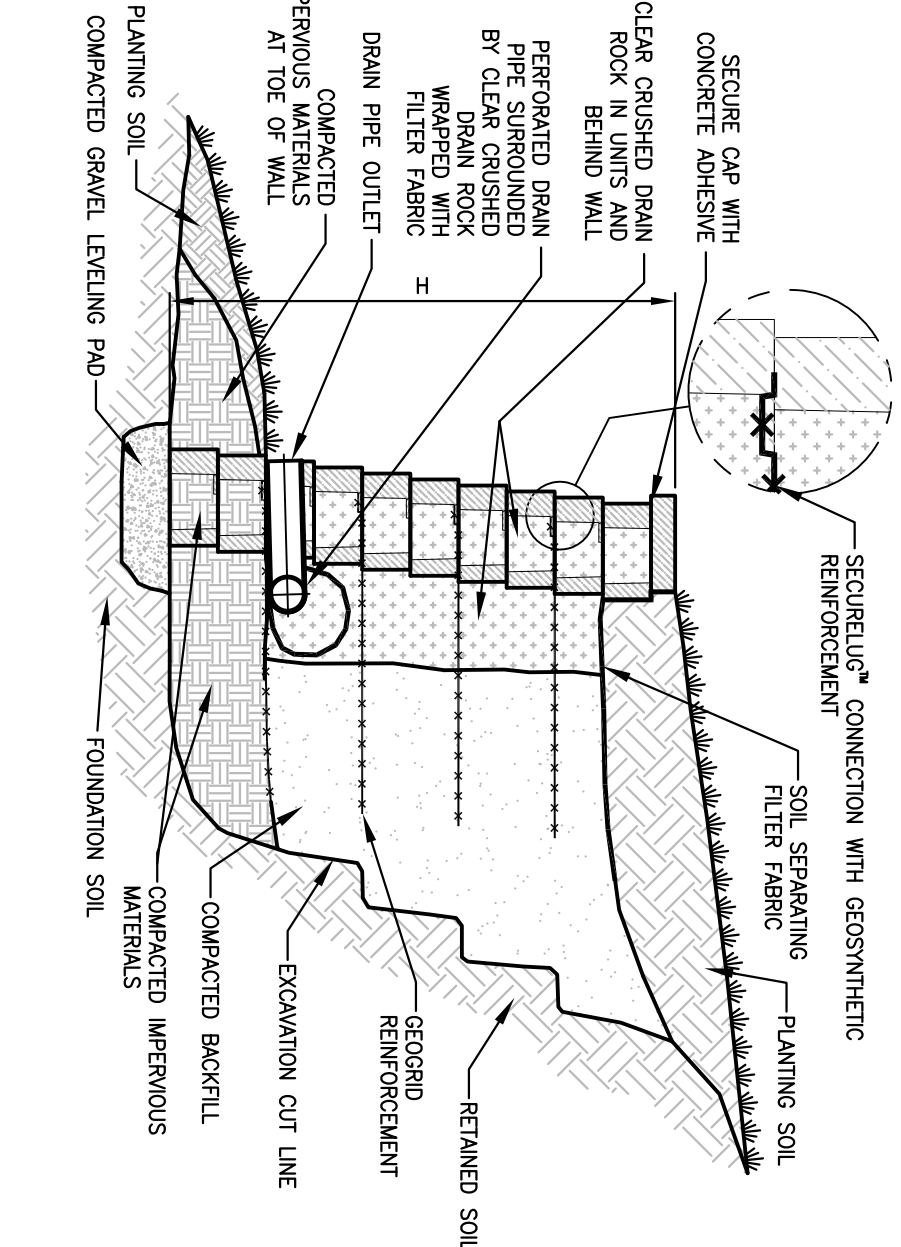
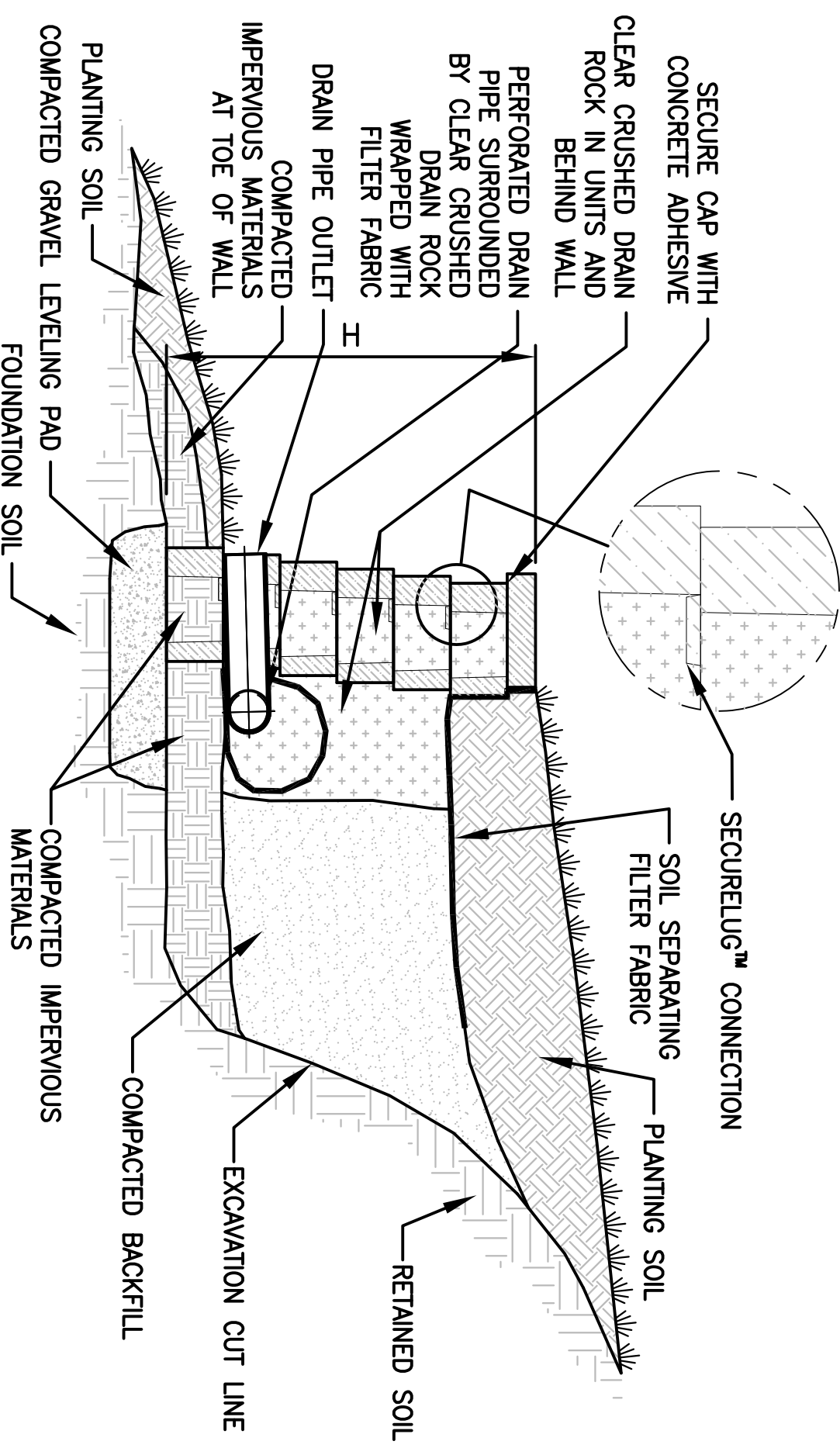


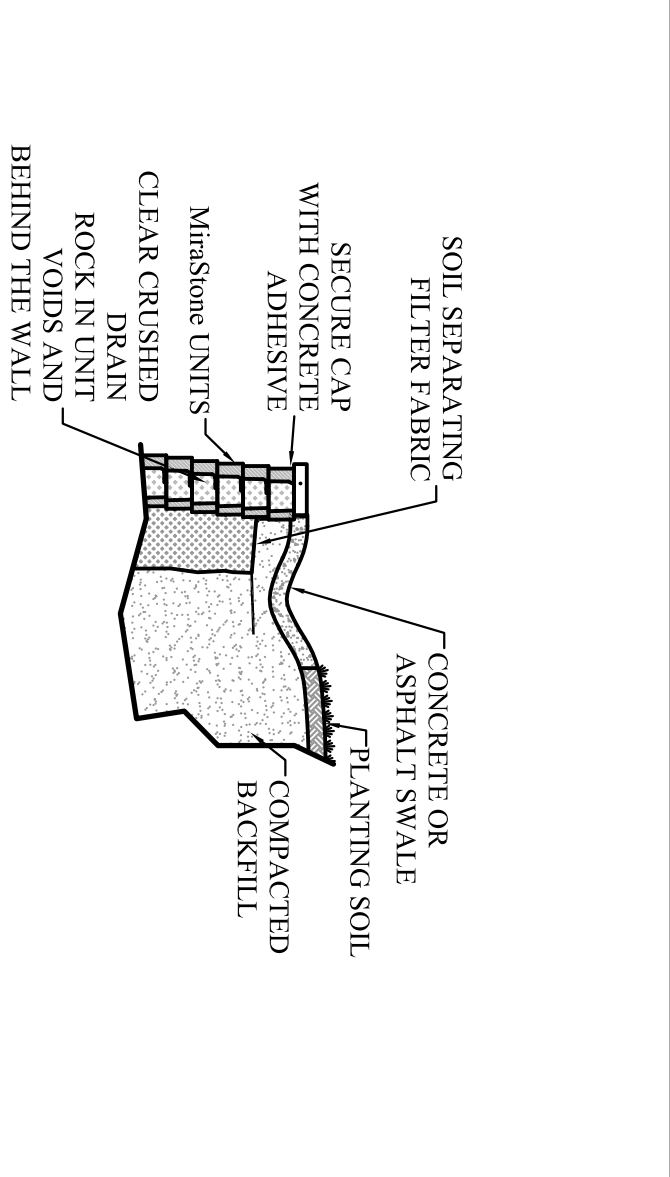
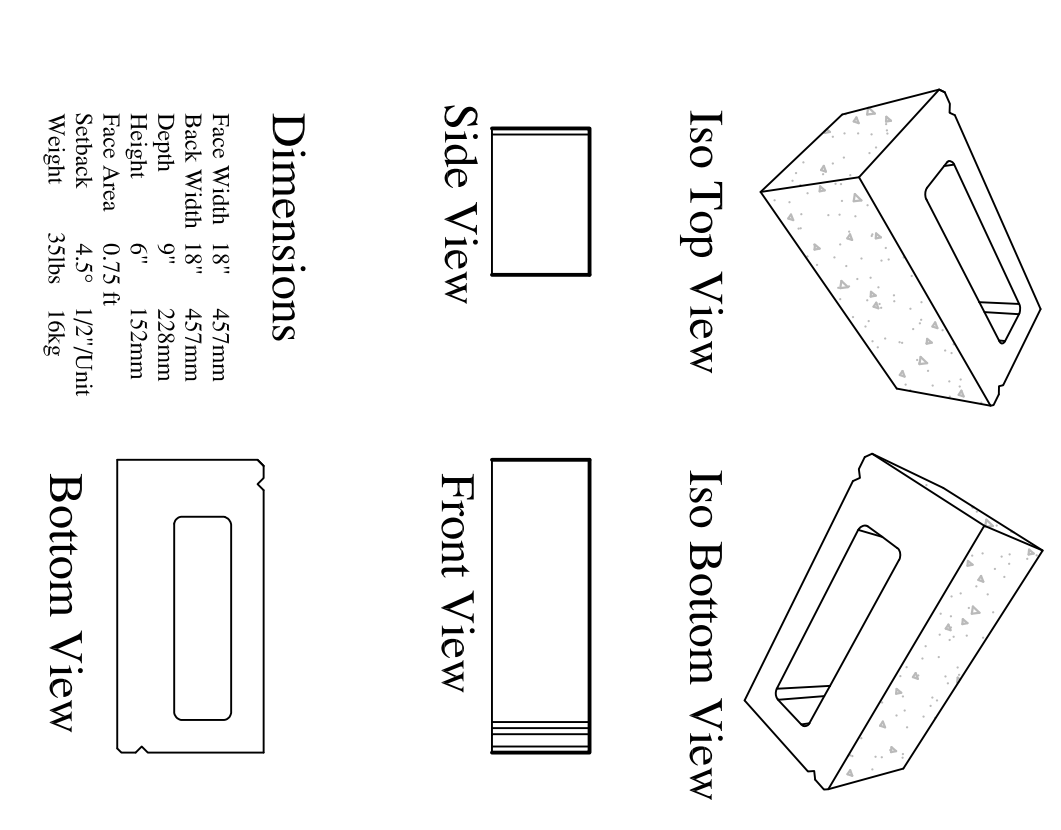
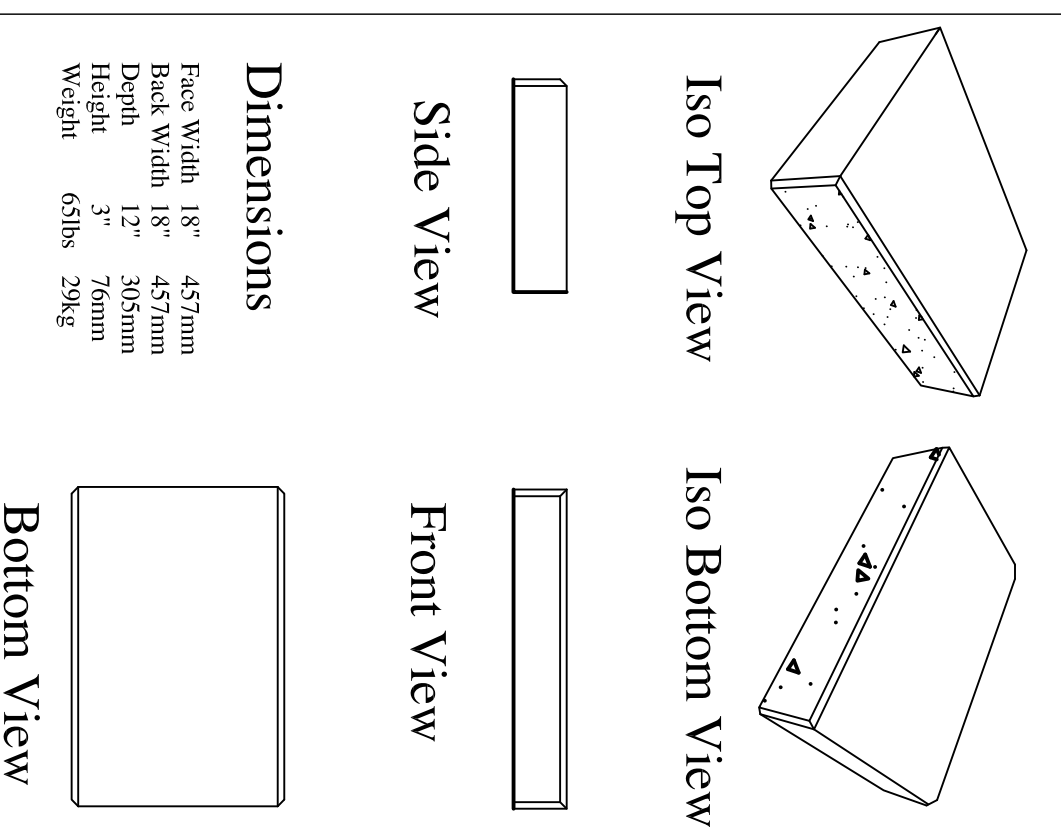
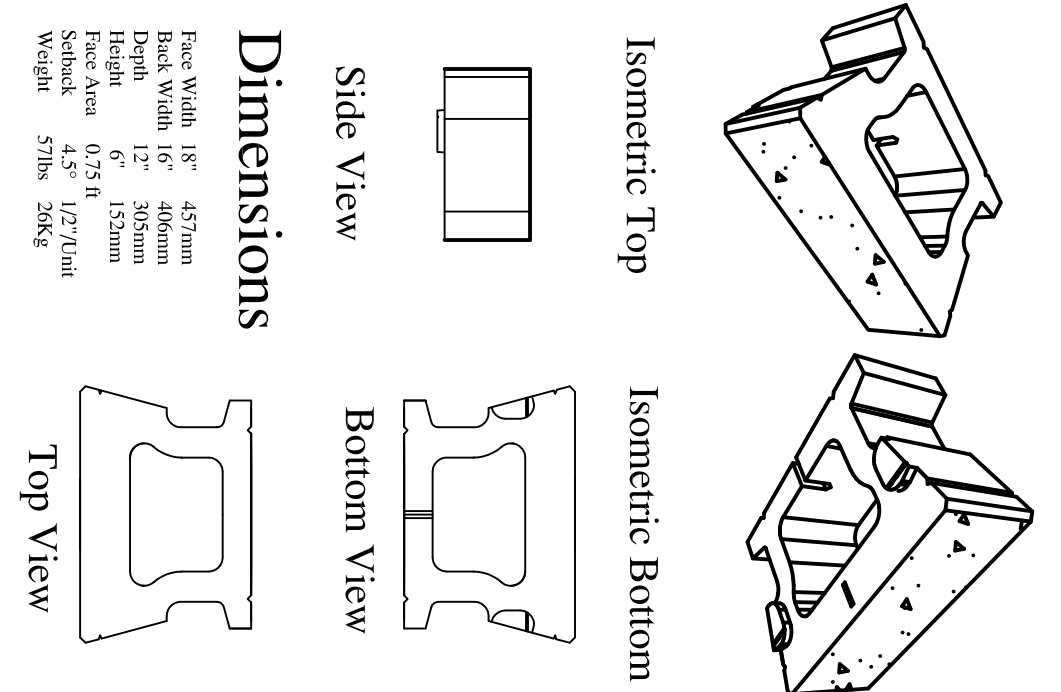
These preliminary details are intended solely to act as an aid when designing a wall. This drawing should not be used for final design or construction. Each site-specific wall should be certified and signed by a registered geotechnical engineer in the State or Province that it is being built. The accuracy and use of the details in this document are the sole responsibility of the user.



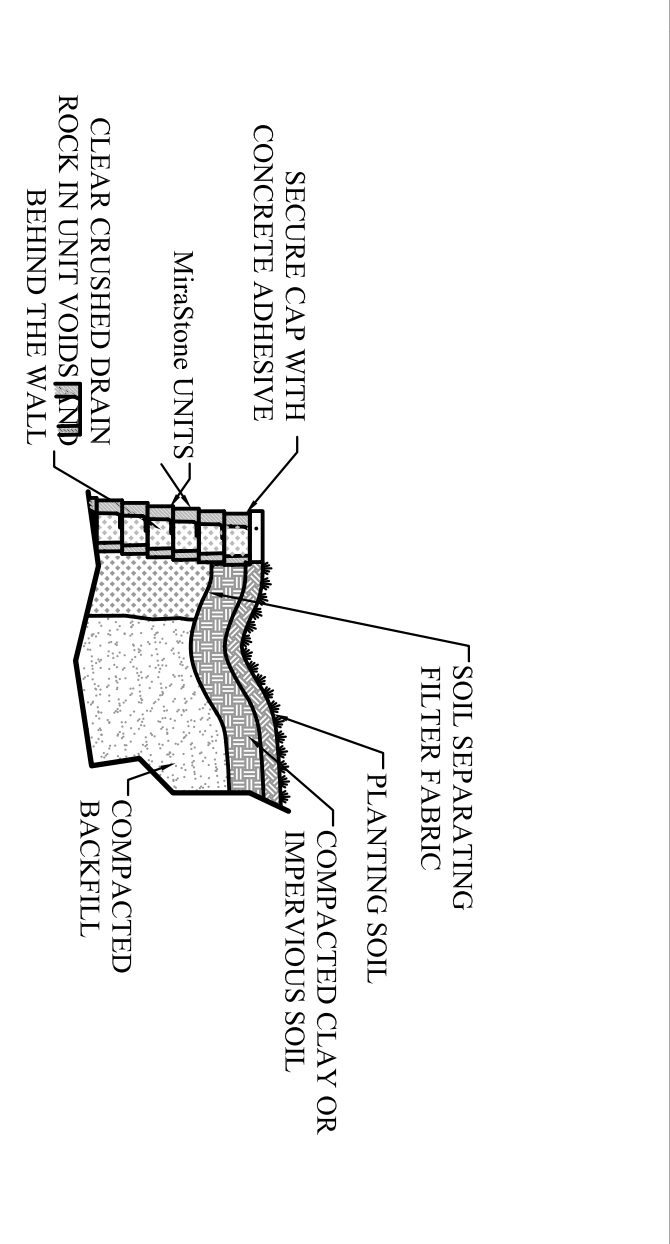
Mirastone Geogrid Wall



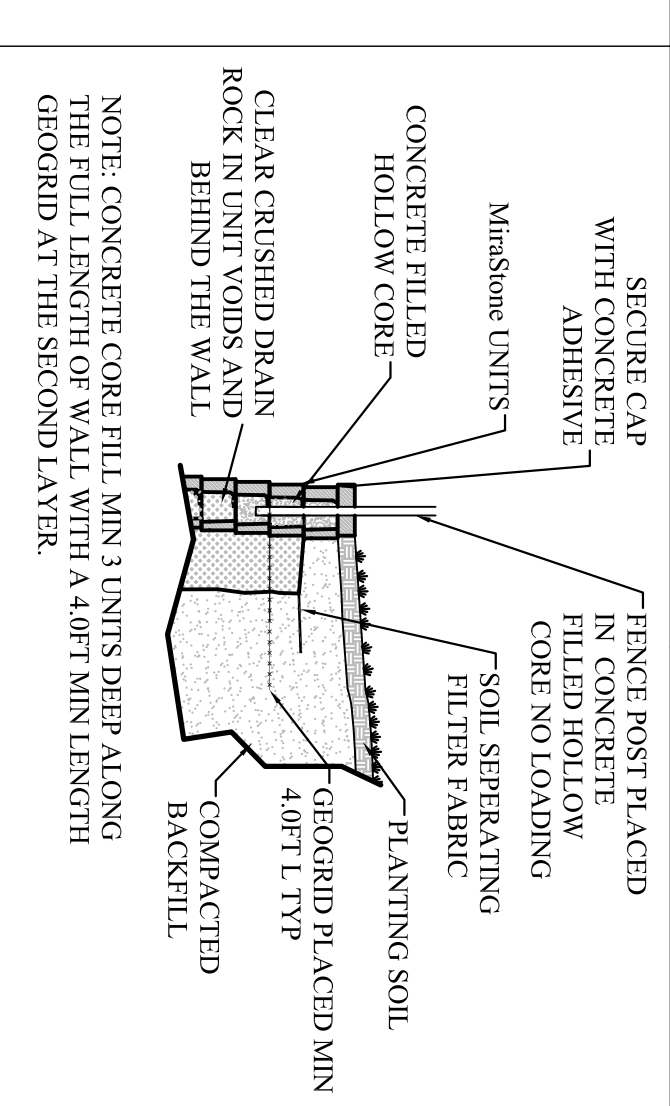
Mirastone Gravity Wall



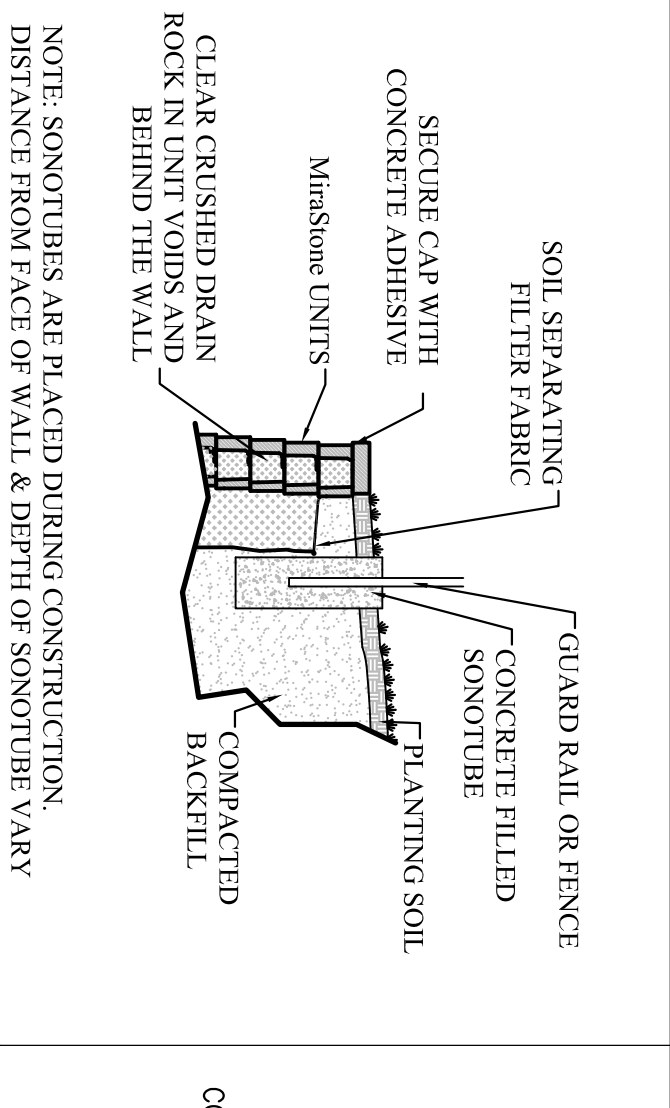
Concrete / Asphalt Swale



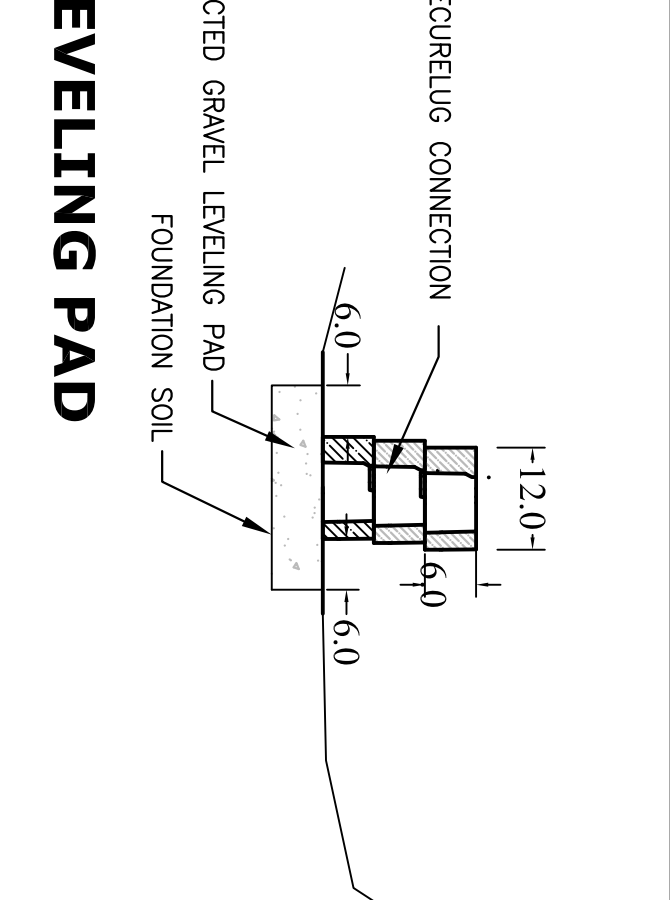
Clay or Impervious Swale



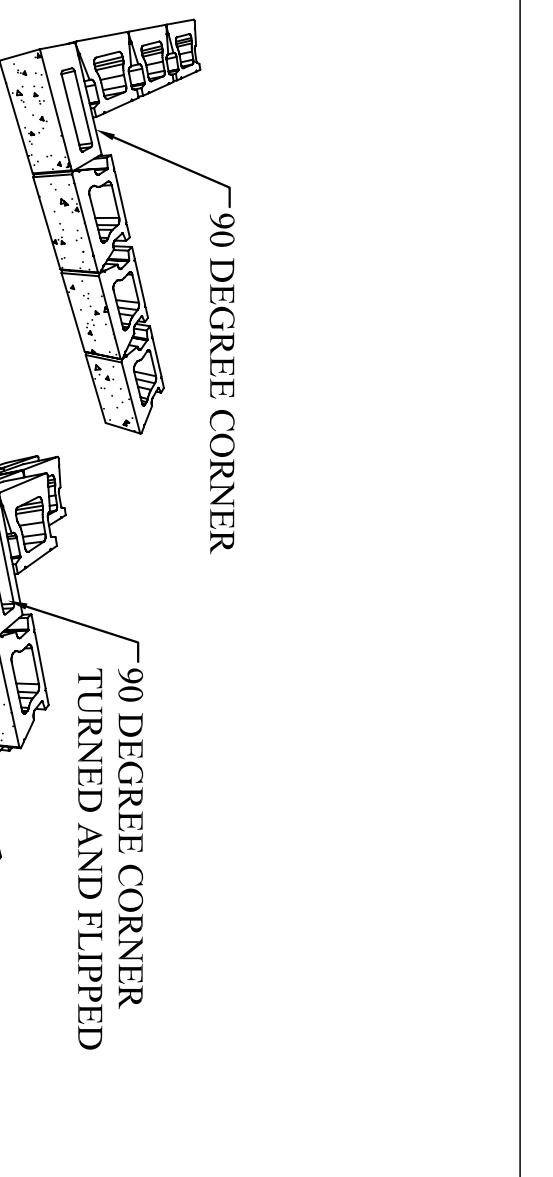
Fence in Block



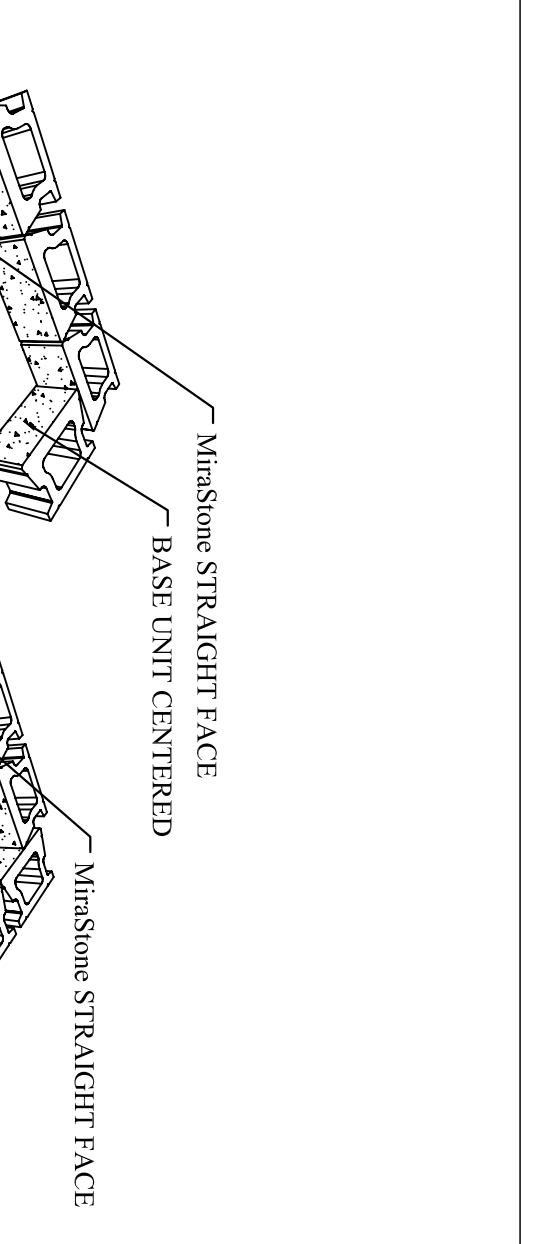
Fence w/ Sonotube



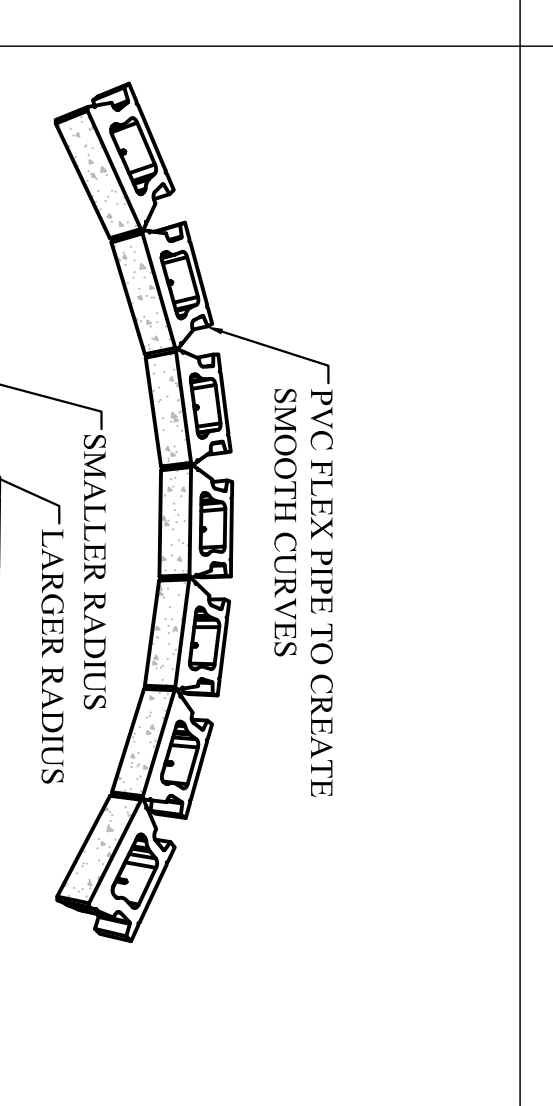
Leveling Pad



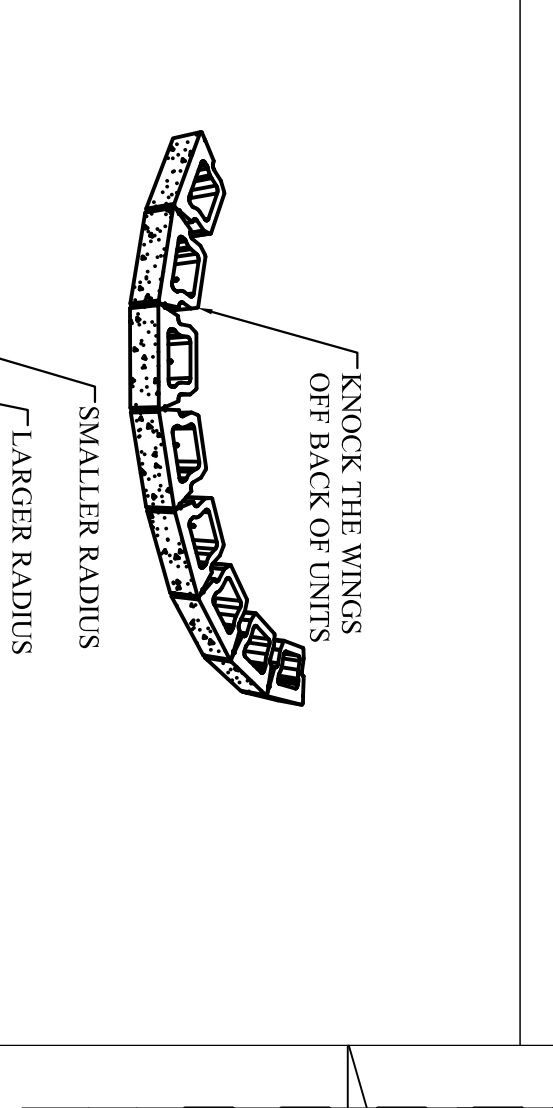
90 Degree Corner



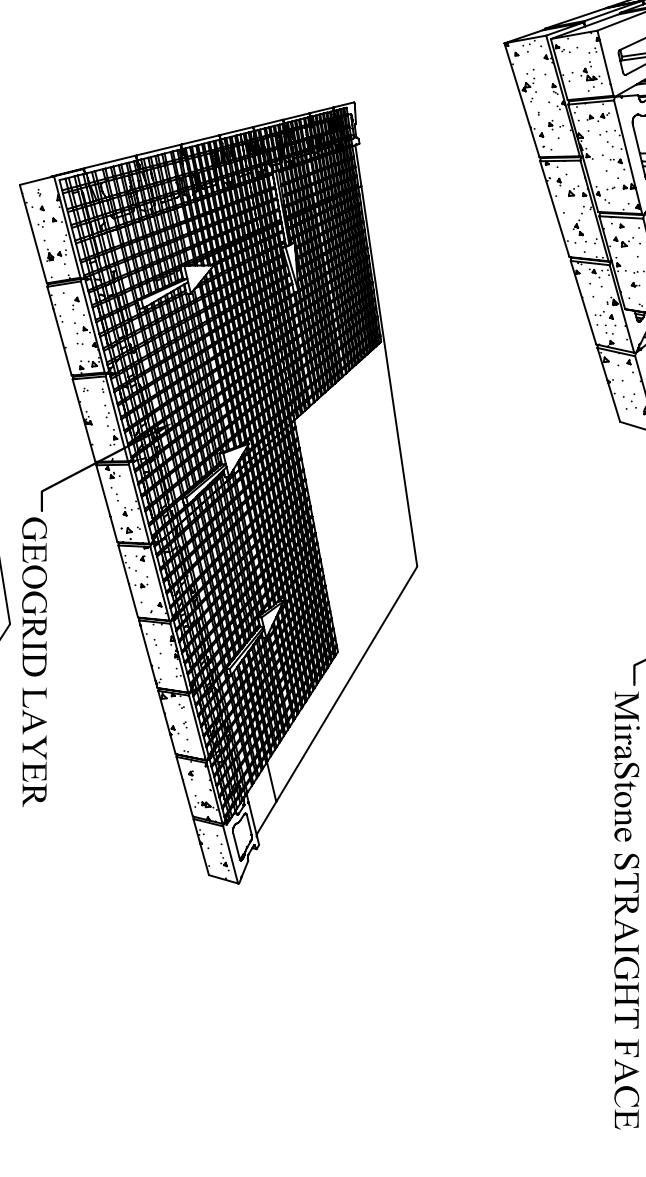
Clay or Impervious Swale



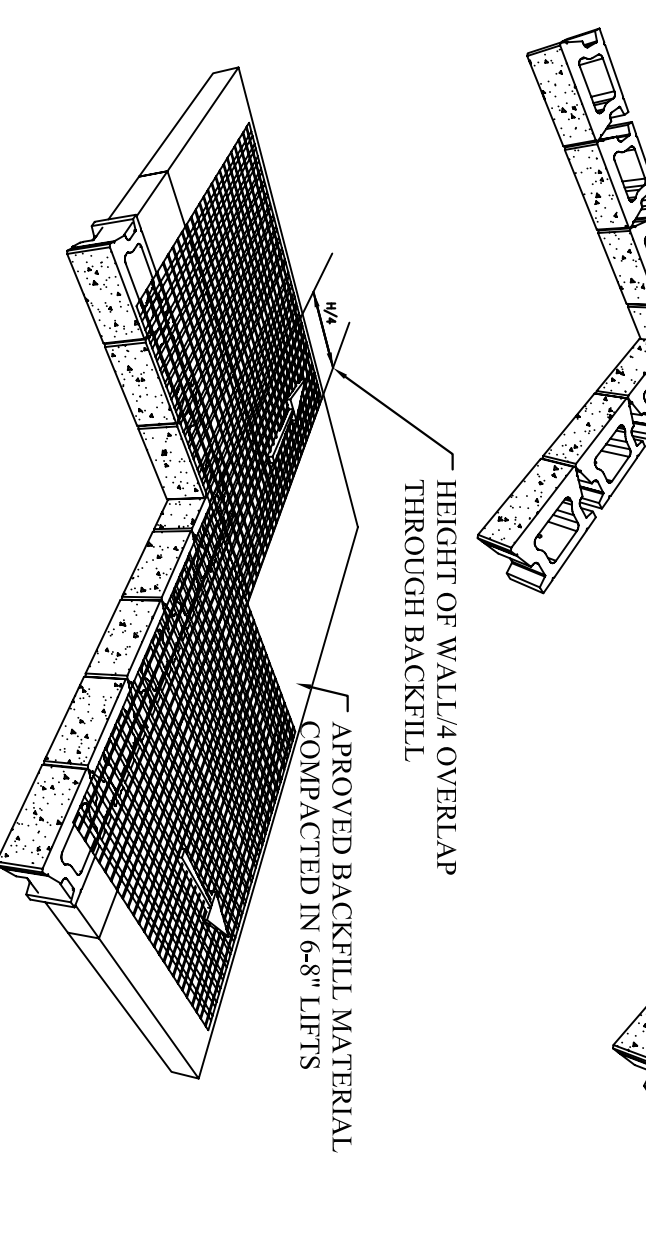
Fence in Block



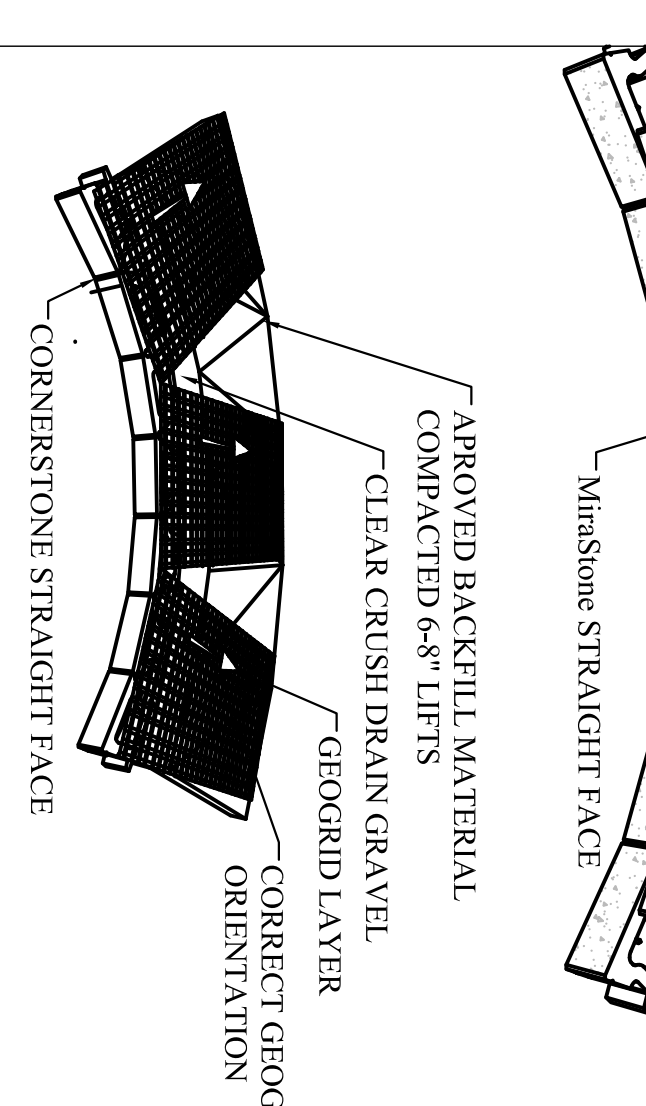
Fence w/ Sonotube



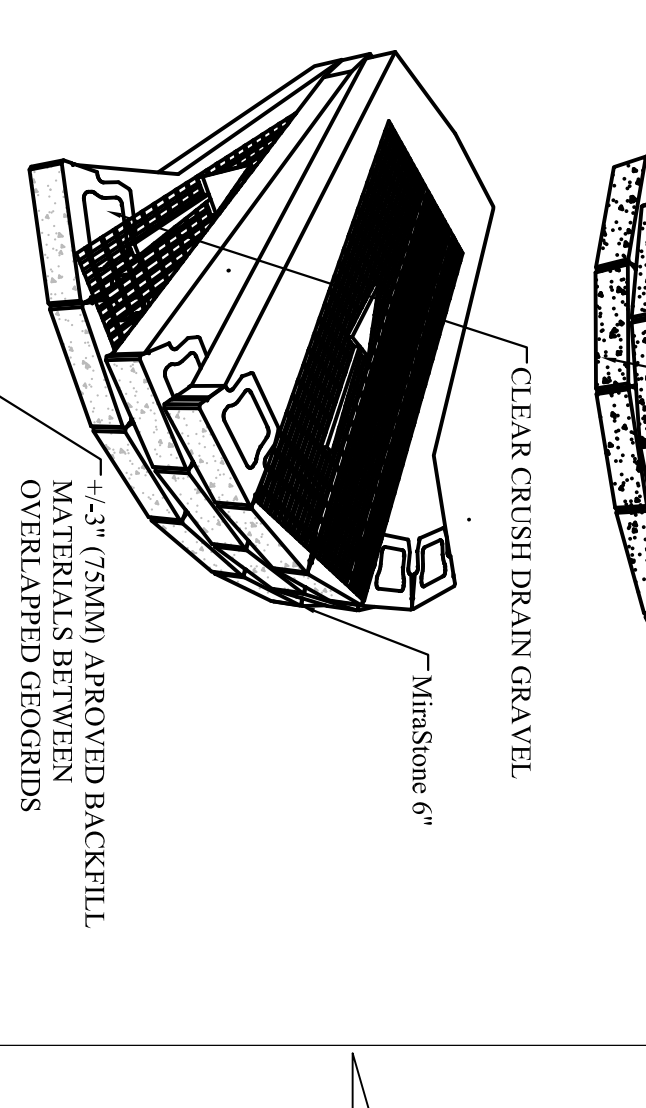
Outside Corner



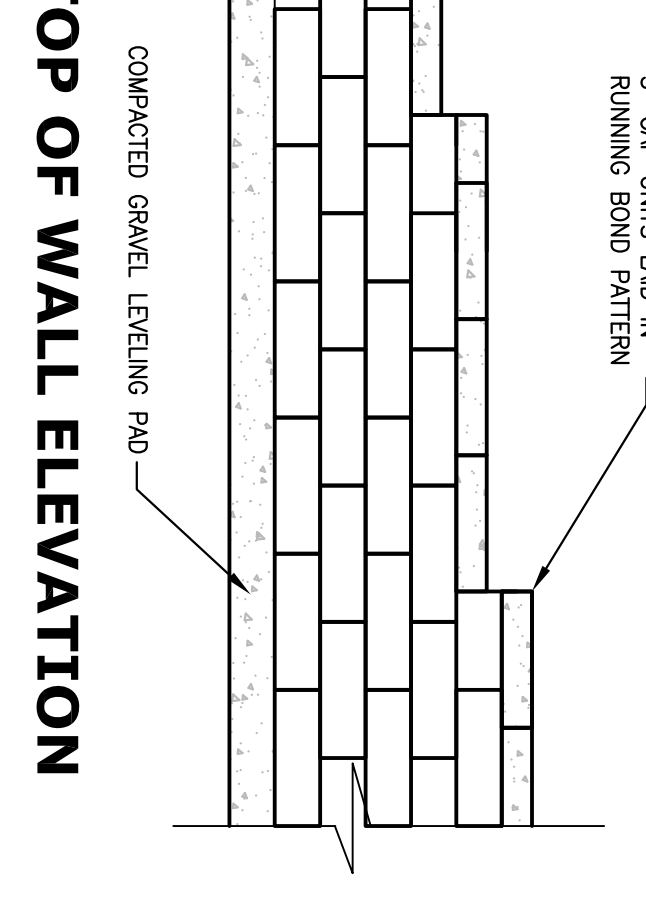
Clay or Impervious Swale



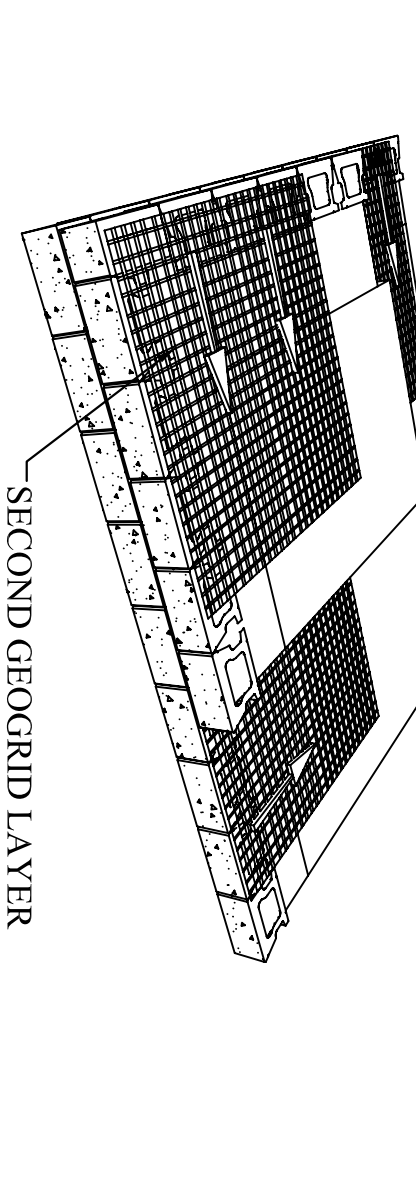
Fence in Block



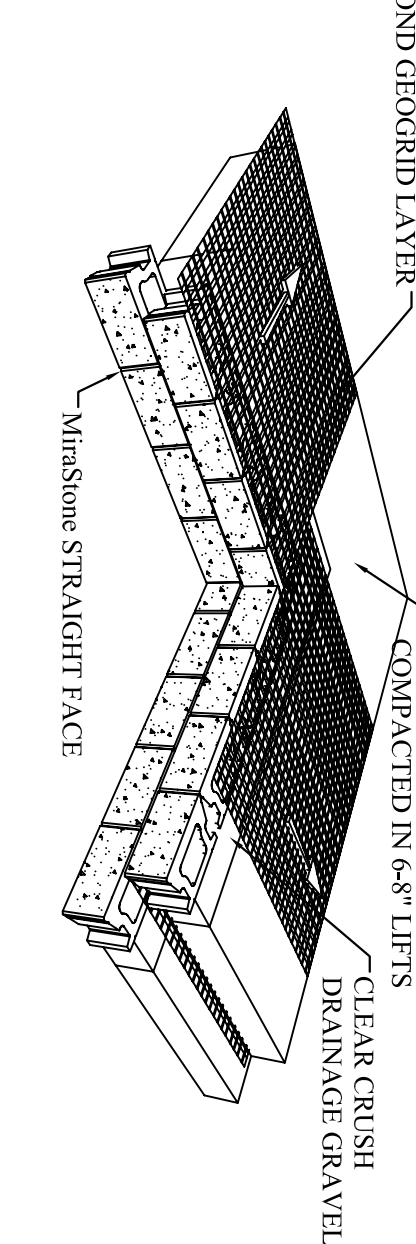
Fence w/ Sonotube



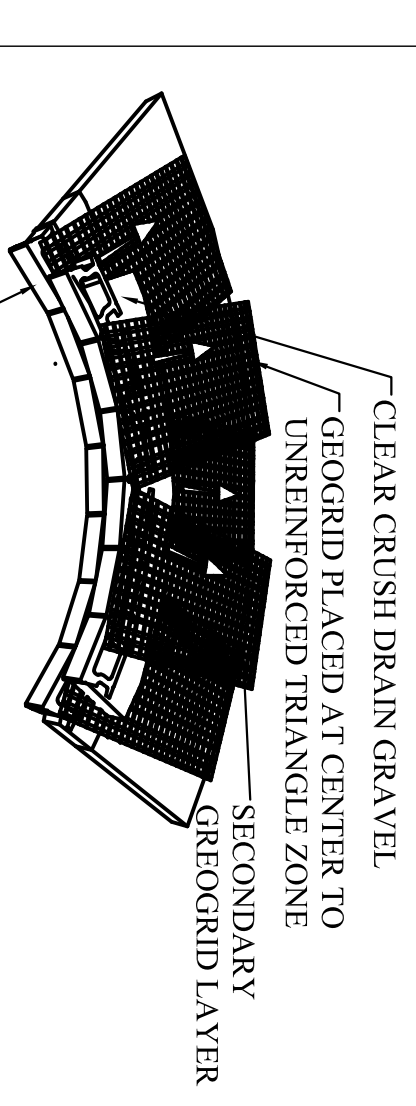
Leveling Pad



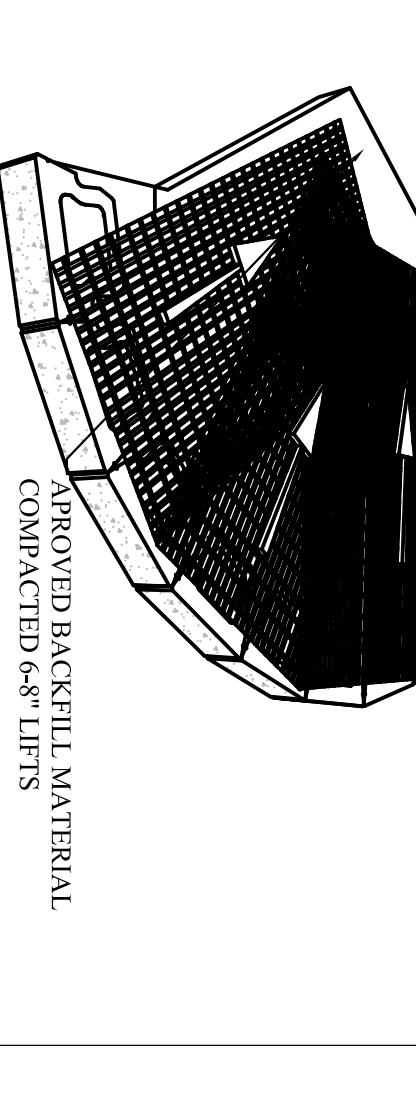
Outside Corner



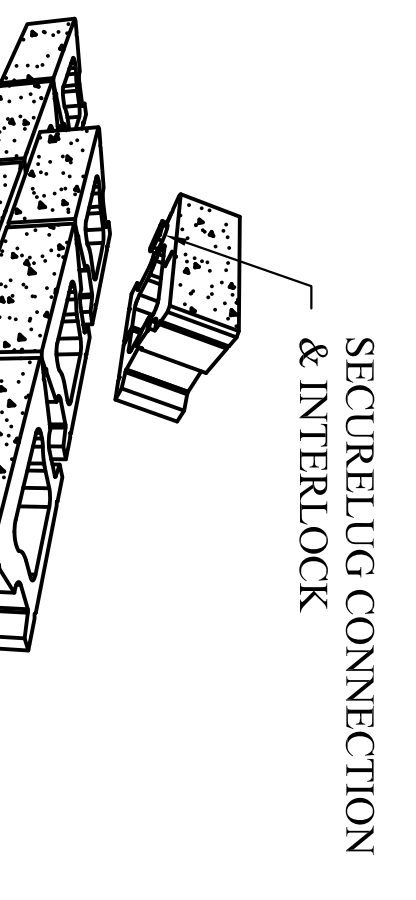
Clay or Impervious Swale



Fence in Block



Fence w/ Sonotube



Leveling Pad

Outside Corner

Clay or Impervious Swale

Fence in Block

Fence w/ Sonotube

Leveling Pad

Mirastone
by CORNERSTONE®
www.cornerstonewallsolutions.com

CORNERSTONE
WALL SOLUTIONS INC.
www.CornerStoneWallsolutions.com

Project	Sheet	Date	Scale

No.	Revision/Issue	Date