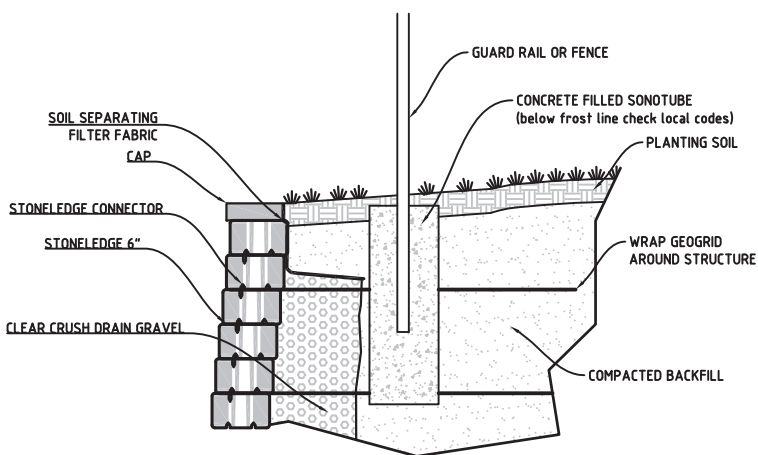
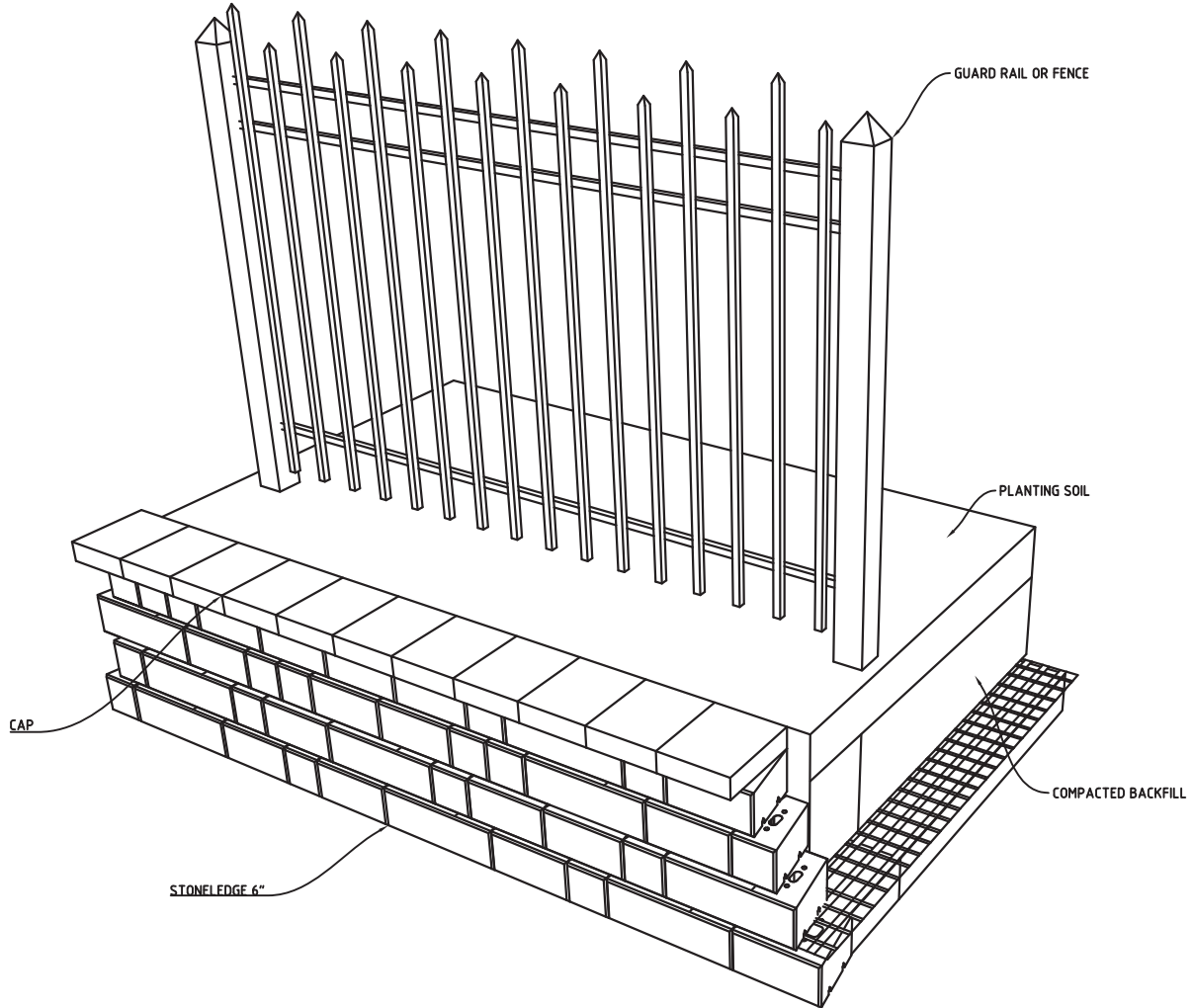


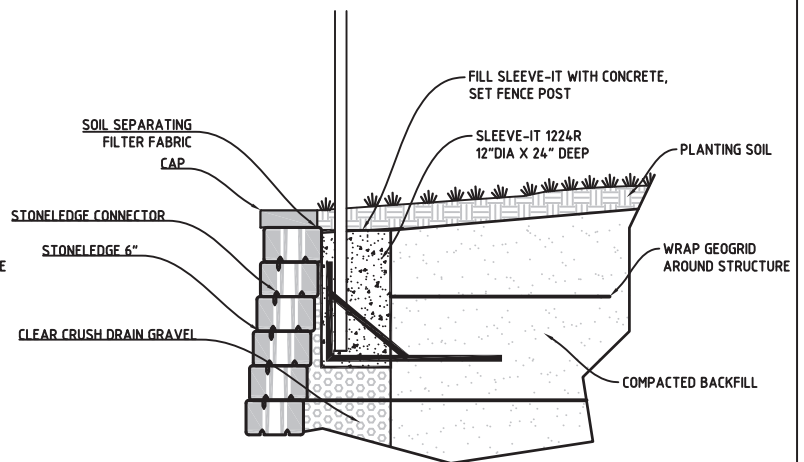
# StoneVista 6"

## >>> FENCE / GUARD RAIL



NOTE: SONOTUBES ARE PLACED DURING CONSTRUCTION. DISTANCE FROM FACE OF WALL & DEPTH OF SONOTUBE VARY. WIND LOADS AND LATERAL LOADS HAVE NOT BEEN CONSIDERED. CONSULT A QUALIFIED ENGINEER.

SONOTUBE



DETAIL OF FENCE POST INSTALLATION USING SLEEVE-IT 1224R

NOTE: FENCING SYSTEMS APPROVED FOR USE WITH SLEEVE-IT 1224R ARE LIMITED TO THE FOLLOWING HEIGHTS: CHAIN LINK - UP TO 8 FT, PRIVACY - UP TO 6 FT (WOODEN, PVC, METAL). POST SIZE 4"x4" MAX.

FOR MORE INFORMATION ON SLEEVE-IT CONTACT STRATA SYSTEMS

SLEEVE-IT



**CORNERSTONE**  
WALL SOLUTIONS INC.

These preliminary details are intended solely to act as an aid when designing a wall. This drawing should not be used for final design or construction. Each site-specific wall should be certified and signed by a registered geotechnical engineer in the State or Province that it is being built. The accuracy and use of the details in this document are the sole responsibility of the user.