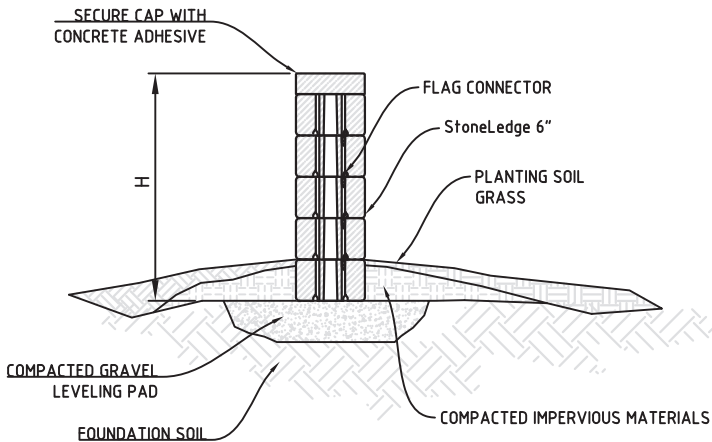
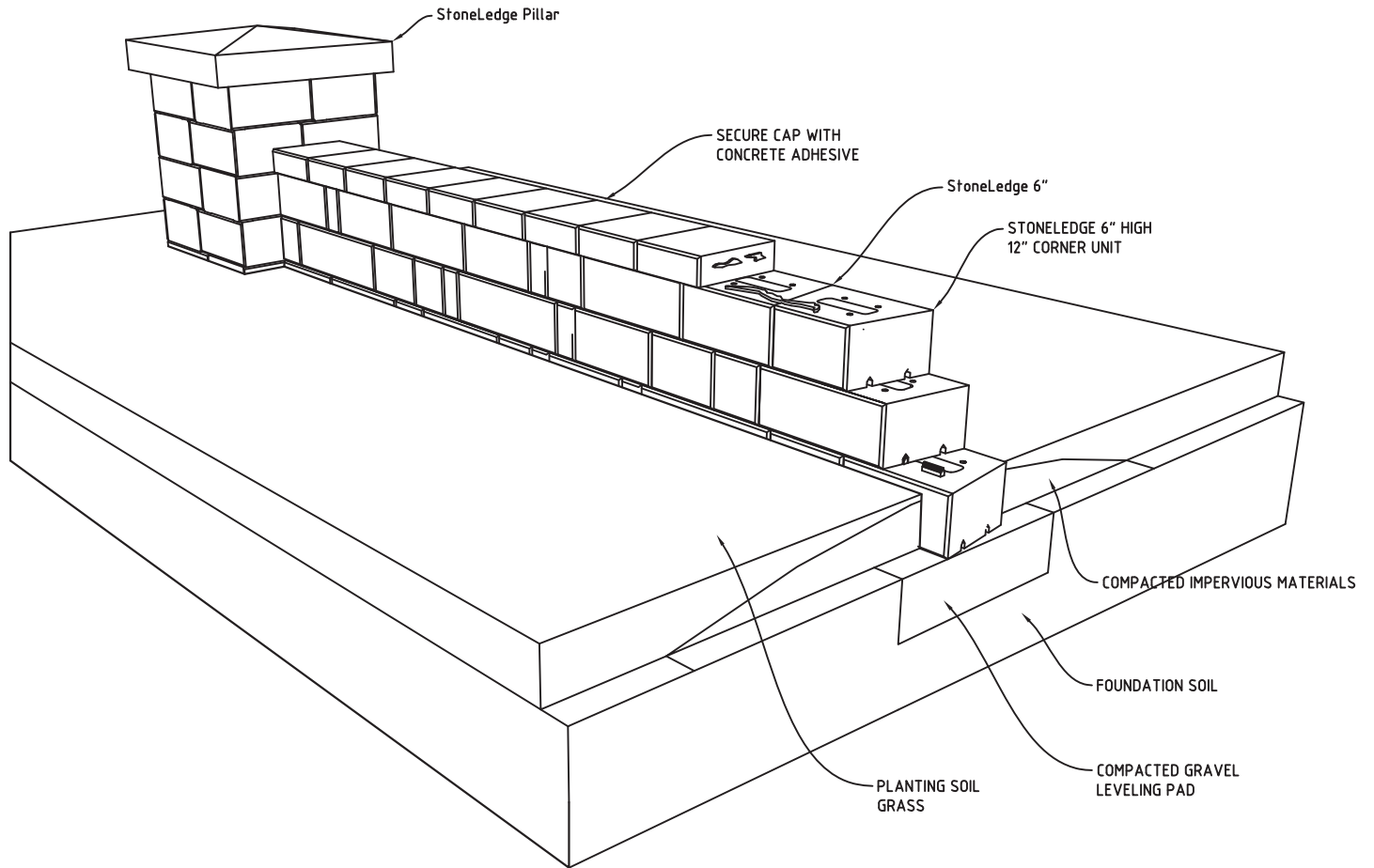
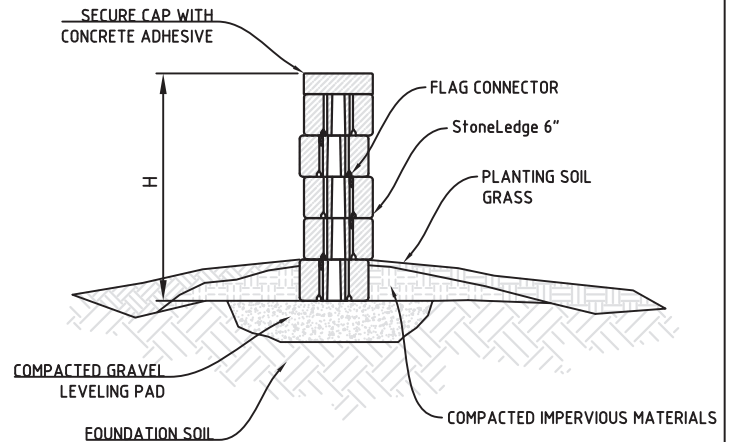


StoneVista 6"

>>> FREE STANDING / SEAT WALLS



StoneLedge Vertical
Free Standing / Seat Walls



StoneLedge Shadow
Free Standing / Seat Walls

These preliminary details are intended solely to act as an aid when designing a wall. This drawing should not be used for final design or construction. Each site-specific wall should be certified and signed by a registered geotechnical engineer in the State or Province that it is being built. The accuracy and use of the details in this document are the sole responsibility of the user.

