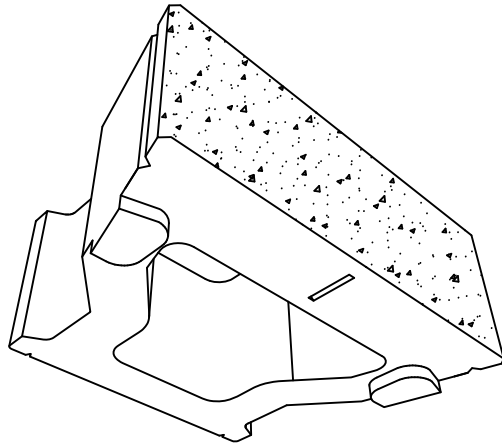
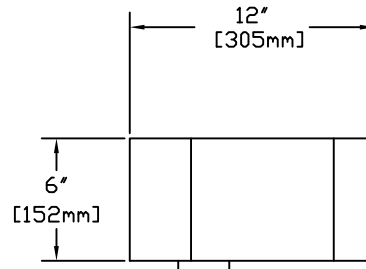


# FROGSTONE STRAIGHT FACE

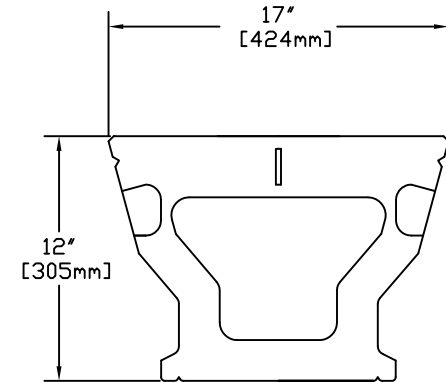
## >>> BLOCK SPECIFICATIONS



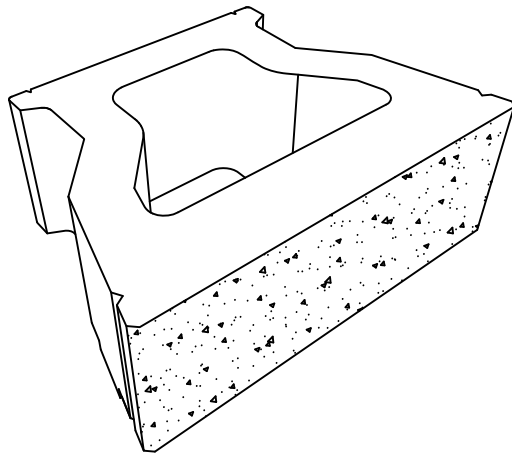
Isometric Bottom View



Side View



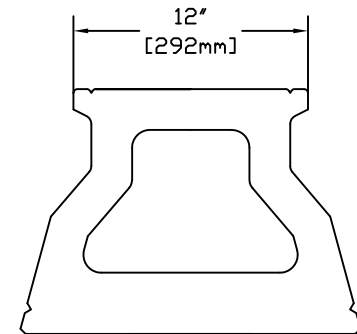
Bottom View



Isometric Top View

## Dimensions

Face Width	17"	432mm
Back Width	12"	305mm
Depth	12"	305mm
Height	6"	152mm
Face Area	.75 sq ft	.07sq m
Volume Voids	.31 cu ft	.008cu m
Setback	6°	3/4"/Unit
Weight	49lbs	22Kg
Gravel Filled Unit	88lbs	40Kg
Gravel Filled Sq ft	117.5	11Kg



Top View



**CORNERSTONE**  
WALL SOLUTIONS INC.

Date:

Designed By:

Company:

These preliminary details are intended solely to act as an aid when designing a wall. This drawing should not be used for final design or construction. Each site-specific wall should be certified and signed by a registered geotechnical engineer in the State or Province that it is being built. The accuracy and use of the details in this document are the sole responsibility of the user.