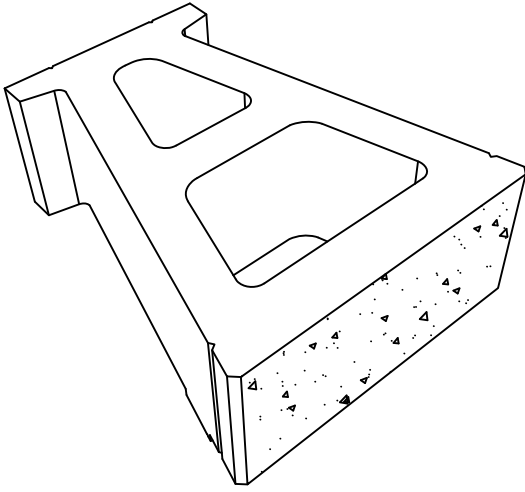
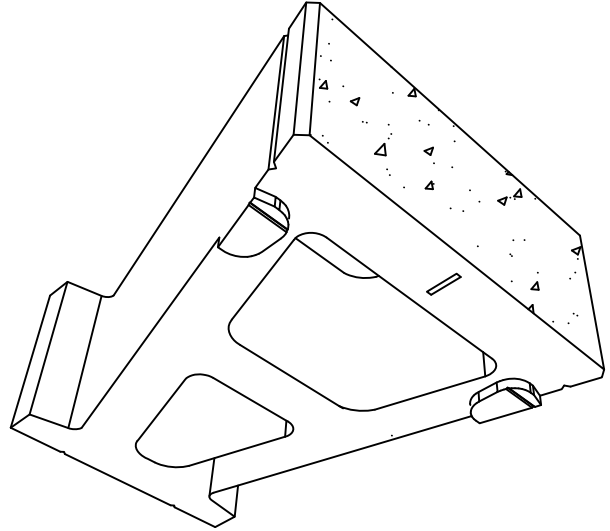


CORNERSTONE 200 STRAIGHT FACE

>>> BLOCK SPECIFICATIONS



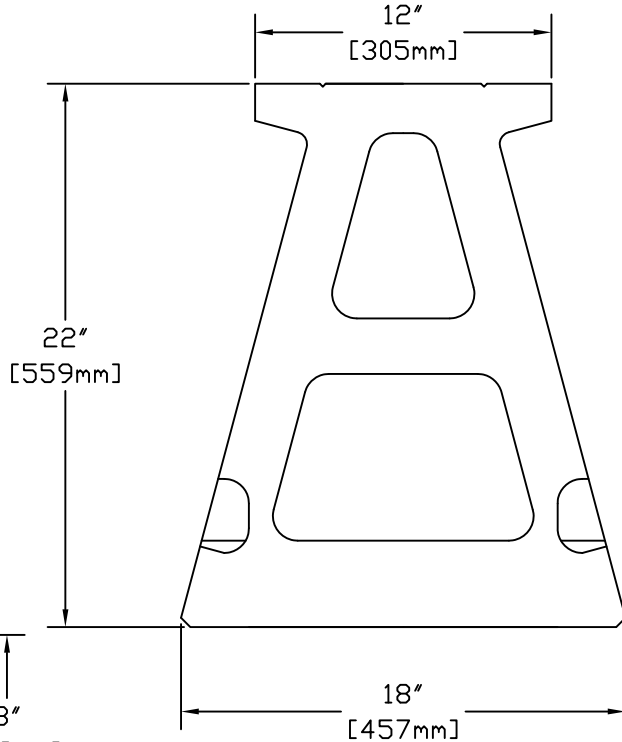
Isometric Top View



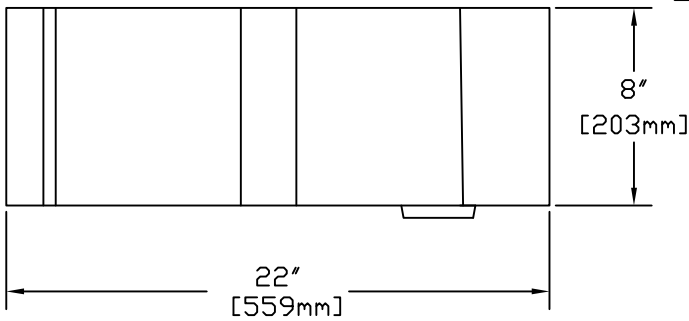
Isometric Bottom View

Dimensions

Face Width	18"	457mm
Back Width	12"	305mm
Depth	22"	559mm
Height	8"	203mm
Face Area	1 ft	
Setback	4.5°	5"/8"/Unit
Weight	110lbs	58Kg



Bottom View



Side View

These preliminary details are intended solely to act as an aid when designing a wall. This drawing should not be used for final design or construction. Each site-specific wall should be certified and signed by a registered geotechnical engineer in the State or Province that it is being built. The accuracy and use of the details in this document are the sole responsibility of the user.

