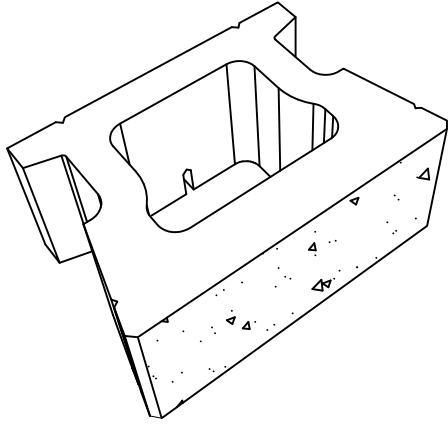
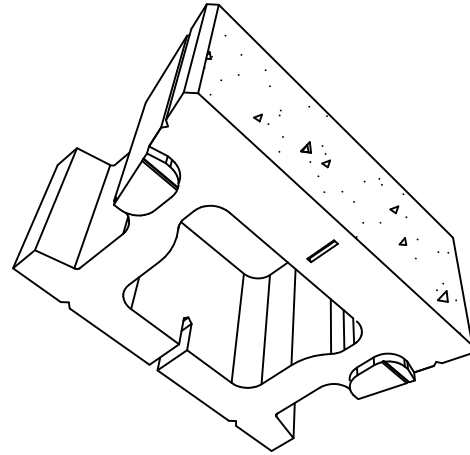


# CORNERSTONE 100 STRAIGHT FACE

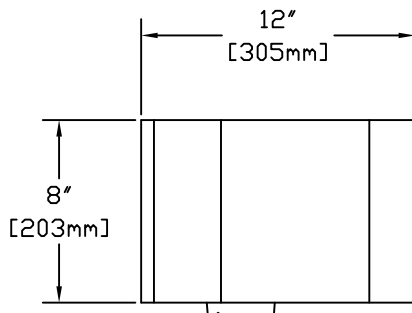
## >>> BLOCK SPECIFICATIONS



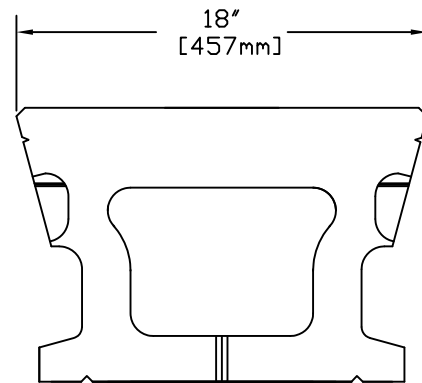
Isometric Top View



Isometric Bottom View



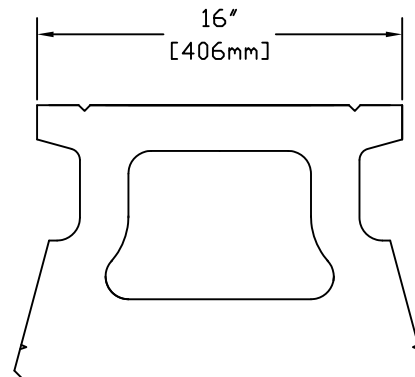
Side View



Bottom View

## Dimensions

Face Width	18"	457mm
Back Width	16"	406mm
Depth	12"	305mm
Height	8"	203mm
Face Area	1 ft	
Setback	4.5°	5/8"/Unit
Weight	75lbs	34Kg



Top View

These preliminary details are intended solely to act as an aid when designing a wall. This drawing should not be used for final design or construction. Each site-specific wall should be certified and signed by a registered geotechnical engineer in the State or Province that it is being built. The accuracy and use of the details in this document are the sole responsibility of the user.

