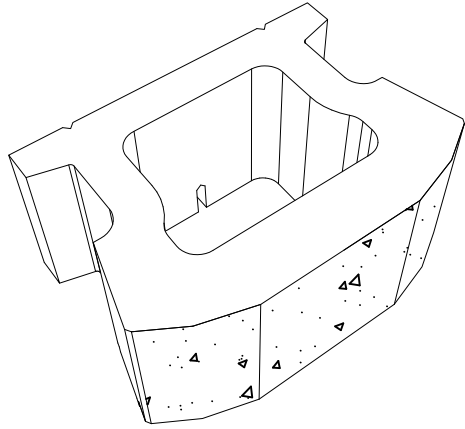
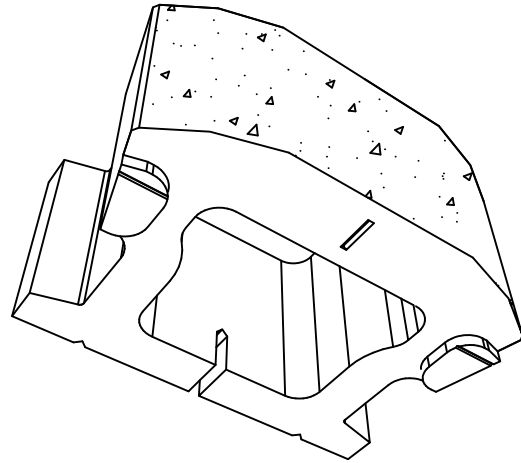


CORNERSTONE 100 ROCK FACE

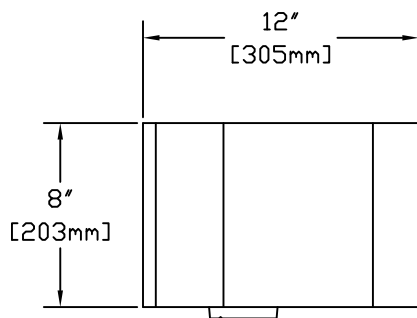
>>> BLOCK SPECIFICATIONS



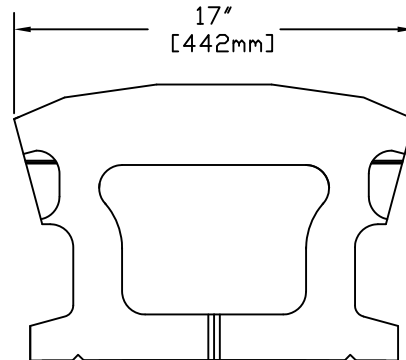
Isometric Top View



Isometric Bottom View



Side View

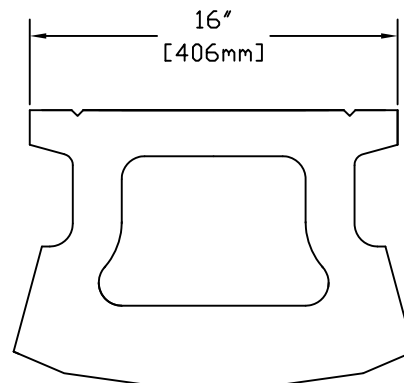


Bottom View

Dimensions

Face Width	17"	432mm*
Back Width	16"	406mm
Depth	12"	305mm
Height	8"	203mm
Face Area	1 ft	
Setback	4.5°	$\frac{5}{8}$ " / Unit
Weight	75lbs	34Kg

*May vary between producers



Top View



CORNERSTONE
WALL SOLUTIONS INC.

These preliminary details are intended solely to act as an aid when designing a wall. This drawing should not be used for final design or construction. Each site-specific wall should be certified and signed by a registered geotechnical engineer in the State or Province that it is being built. The accuracy and use of the details in this document are the sole responsibility of the user.

www.cornerstonewallsolutions.com